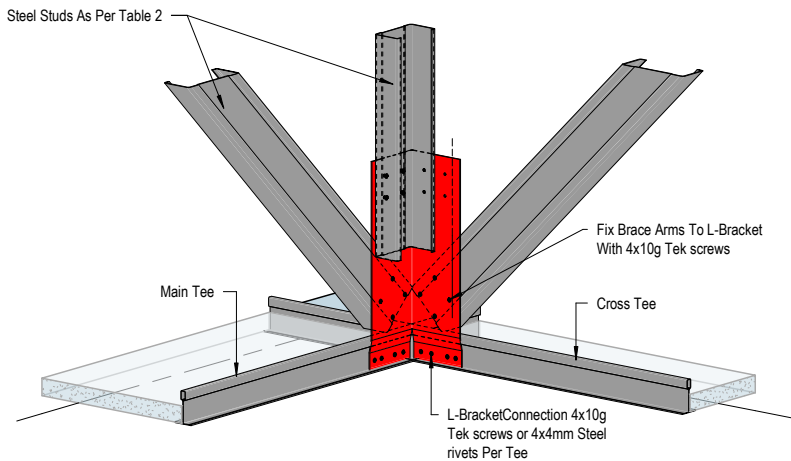


StratoBrace®

STRATOBACE Rigid (Ceiling) Restraint



PRODUCT SUMMARY

The StratoBrace is designed to lock into a two way suspended grid system in order to increase its ability to withstand lateral loads. It is a simple system that is easy to install. If perimeter fixing is insufficient for the seismic demand, a ceiling must be restrained to the structure above using another method such as StratoBrace. This product provides a tested, strong and effective method to provide lateral restraint.

- The StratoBrace provides a proprietary bracket to attach a compression strut and two orthogonally opposing angle struts to the ceiling grid.
- Its performance has been extensively tested.
- The StratoBrace bracket uses grade 250 steel 2mm thick, its yield strength is 250MPa.
- Use the T&R Seismic Calculator to design a ceiling that complies with the requirements set out in NZS1170.5 (www.tris.co.nz/index/home/Seismic_Calculator)

Please note: The ceiling grid must not be connected to the perimeter wall or frame (See T&Rs Z Rail or seismic wall clip). The gap between the ceiling and the surrounding wall has to be sufficiently large that the ceiling is not damaged by impacts against the wall during an earthquake.

Flexible connections should be used between ceiling-supported equipment and their ducts or pipes that are supported by the structure.

The StratoBrace (when designed and installed in full compliance with the Design Guide (T&R Seismic Suspended Ceiling Calculator) will meet the B1 structure provisions in the New Zealand Building Code.

StratoBrace®

STRATOBACE Rigid (Ceiling) Restraint



The StratoBrace comes in two heights. Standard and Long.

- Use StratoBrace Standard for commodity and thin tiles <35mm.
- Use StratoBrace Long for thicker tiles such as Combo and Impact panels.

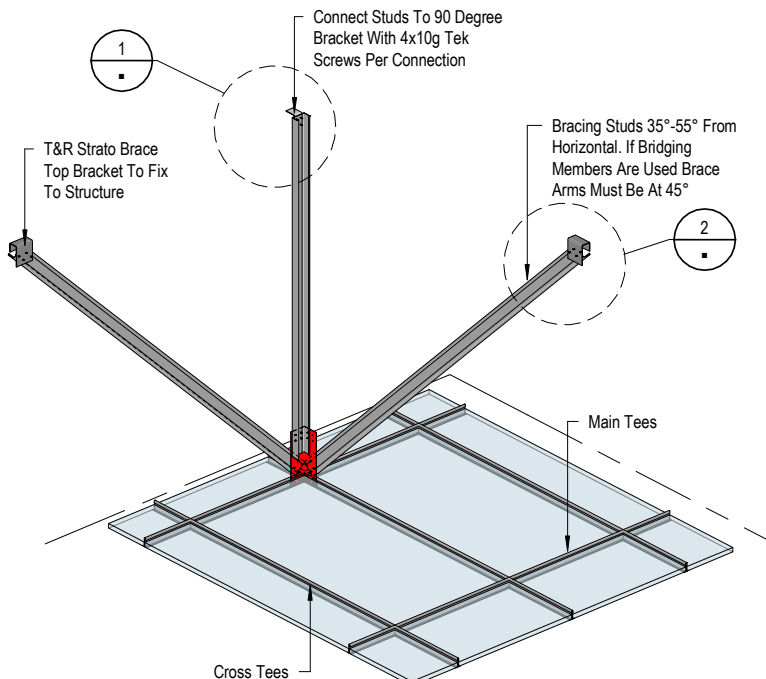
BRACE CAPACITY - 2.45 KN

Table 1 - Connection Specification

Building Structure	Connection Type
Concrete Slab	1 x HILTI HUS3-H10 Screw Anchors • 60mm Embedment & 100mm Edge Distance
Steel Purlins	4 x 12g Tek Screws
Timber Joists & Purlins	4 x 10g HWF T17 Wood Screw • 35mm Embedment min.
Steel Beam	4 x Hilti X-U P8 Steel Nail Fixings

Table 2 - Required Stud Size

Stud Size	Maximum Plenum Height
64x0.75BMT	1.3m
64x0.75BMT Boxed	1.9m
92x0.75BMT Boxed	2.1m



- When installing bracing under purlins, fix brace members to purlins wherever possible for specified brace layout. Otherwise use bridging.
- Boxed studs must be screwed together top and bottom at 300mm c/c
- Double boxed studs must be screwed together at 300mm c/c
- See Drawing Set for detailed installation information
- Any alteration to design must be approved by a suitably qualified engineer.